

C.CRANE

CCOBSERVER



INSTRUCTION MANUAL

PLEASE READ ALL THE INSTRUCTIONS
COMPLETELY BEFORE USE
AND SAVE THIS MANUAL
FOR FUTURE REFERENCE



Before Use



Please read **IMPORTANT SAFETY INSTRUCTIONS** on page 10 before use. It is important to read and understand all instructions. Keep these precautions and instructions where all who use this radio will read them.

WARNING: TO PREVENT FIRE OR ELECTRIC SHOCK HAZARD, DO NOT EXPOSE THIS PRODUCT TO RAIN OR MOISTURE.

CAUTION

**RISK OF ELECTRIC SHOCK
DO NOT OPEN**

CAUTION: TO REDUCE THE RISK OF ELECTRIC SHOCK, DO NOT REMOVE THE RADIO BACK. NO USER SERVICEABLE PARTS INSIDE. REFER SERVICING TO QUALIFIED SERVICE PERSONNEL.



THE LIGHTNING FLASH AND ARROWHEAD WITHIN THE TRIANGLE IS A WARNING SIGN ALERTING YOU OF "DANGEROUS VOLTAGE" INSIDE THE RADIO.



THE EXCLAMATION POINT WITHIN THE TRIANGLE IS A WARNING SIGN ALERTING YOU OF IMPORTANT INSTRUCTIONS ACCOMPANYING THIS RADIO.

For your future reference:

Serial No. _____ Date of Purchase _____
(found inside the battery compartment)

Name & Address of Dealer _____

Copyright © 2008-2009 by
C. Crane Company, Inc.
1001 Main St, Fortuna, CA 95540
Phone: 1-800-522-8863

Web: ccrane.com

All rights reserved. No part of this booklet may be reproduced, in any form or means whatsoever, without permission in writing from C. Crane Company, Inc.

Table of Contents

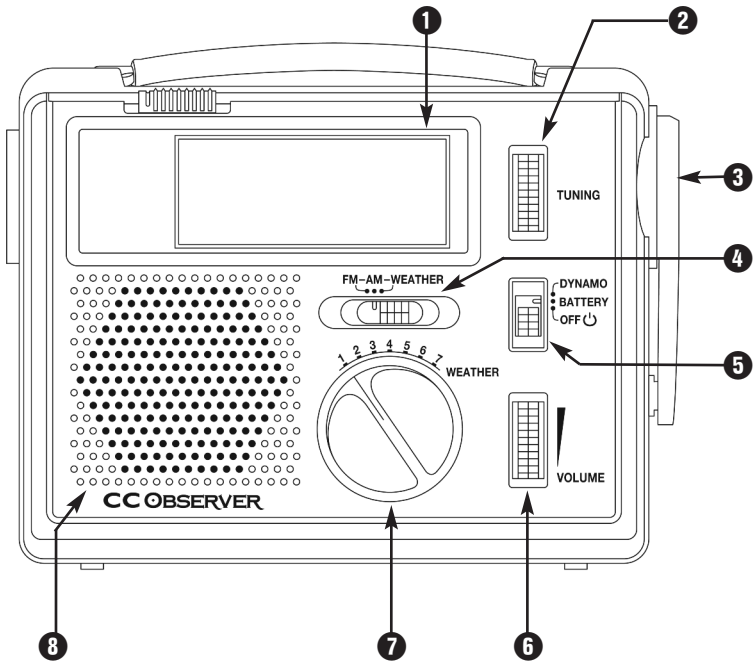
Unpacking	3
Location of Controls	4-5
Getting Started	
Powering Your Radio	6
Installing the Batteries	6
Display Panel	7
Radio Operation	8
Specifications	9
Safety Instructions	10
Personal Station Log	11

Thank you for choosing the CC Observer radio. Read this manual carefully to get the best performance from this unit.

Unpacking

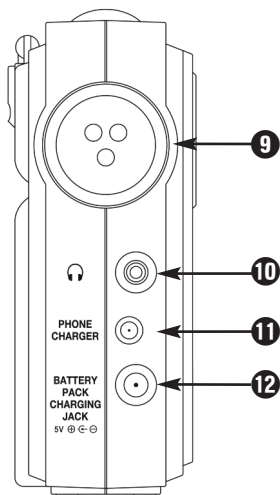
The box should contain the CC Observer Radio, earbuds, five cell phone connectors, and this manual. If anything is missing or damaged, please contact your dealer immediately. We recommend you keep the box in the unlikely event your radio needs to be serviced.

Location of Controls — Front of Radio



- | | | | |
|----------|---------------|----------|------------------------|
| 1 | Display Panel | 5 | Power Selection Switch |
| 2 | Tuning Dial | 6 | Volume Control |
| 3 | Dynamo Crank | 7 | Weather Dial |
| 4 | Band Switch | 8 | Speaker |

Location of Controls – Side and Top of Radio

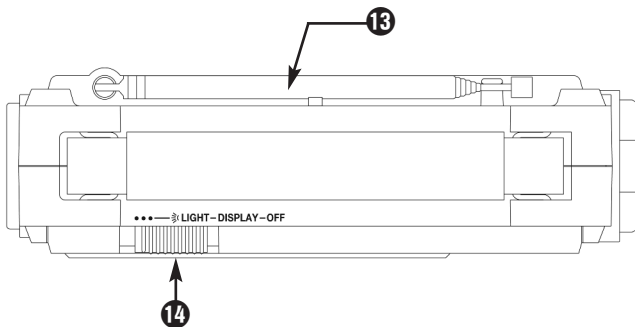


9 LED Light

10 Headphone Jack

11 Phone Charging Jack

12 Battery Pack Charging Jack



13 Telescopic Antenna

14 Display Light and
Flashlight Switch

Getting Started – Powering Your Radio

Before powering your radio, be sure to read the Safety Instructions on page 10.

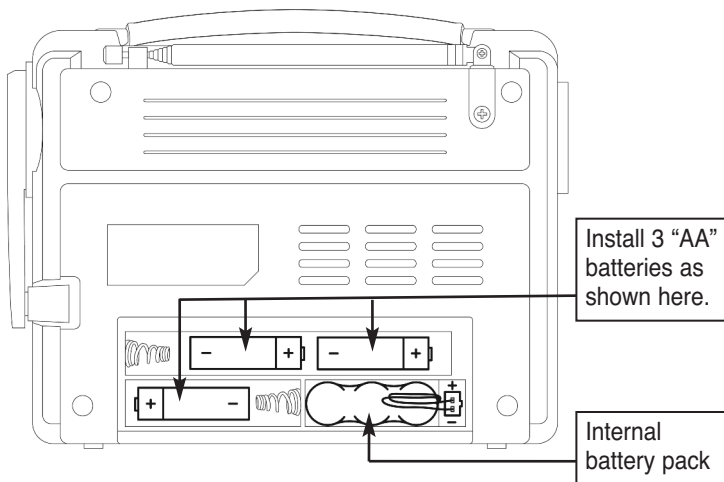
The CC Observer can be powered in three different ways:

Power by Winding — Unfold the handle from the side of the radio and rotate in either direction. The green “DYNAMO” light on the front of the radio will glow indicating proper winding speed. After 90 seconds of winding, the radio will play for about 45 minutes.

Power using AA Batteries — When using AA alkaline batteries, the radio should play at normal volume for about 140 hours. When using nickel metal hydrate rechargeable AA batteries, about 100 hours of play can be expected. This radio will not charge user-installed batteries.

Inserting Batteries:

1. Position the radio face down on a soft surface to protect it.
2. Remove the battery compartment cover.
3. Insert the 3 “AA” cell batteries into the compartment, as indicated in the picture below. Be sure the negative (-) end is against the spring. Refer to the picture below to insure correct installation of your batteries.
4. Replace the battery cover. On the front of the radio, slide the “Power Switch” to “Battery”. You are now ready to operate your radio on batteries.

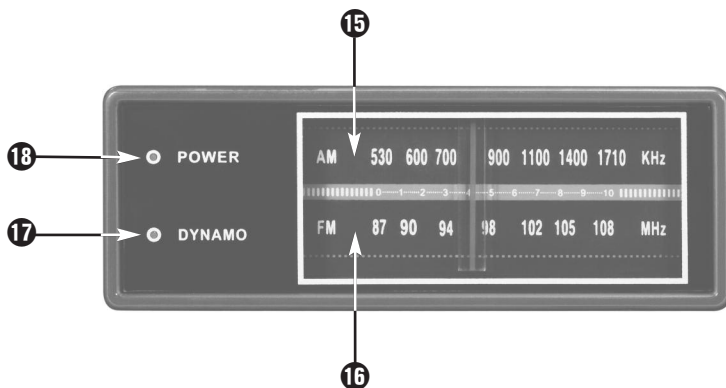


Getting Started – Powering Your Radio

Power by Charging Adapter (optional accessory not included) — Connect the charging adapter between a 120Volts/60Hz wall outlet and the “BATTERY PACK CHARGING JACK” on the side of radio (see location of jack on page 5). To fully charge the battery pack, keep the charging adapter plugged in overnight. When the battery pack is fully charged, the radio should play for over 30 hours.

Note: The charging adapter should only be used to charge the battery pack and should not be used to power the radio on a regular basis. Leaving the charging adapter plugged into the radio for long periods of time will shorten the life of the internal battery pack.

Getting Started – Display Panel



15 AM Frequencies

17 Dynamo Indicator Light

16 FM Frequencies

18 Power Indicator Light

TUNING

The CC Observer features three bands: AM, FM and WEATHER.

1. Position the power switch to BATTERY or DYNAMO.
2. Select band by positioning the “BAND SWITCH”.
3. Adjust TUNING dial to desired frequency. For tuning weather, position the WEATHER dial to the desired channel.
2. Adjust volume by rotating the “VOLUME CONTROL”.

DISPLAY LIGHT

To turn the display light on, move the light switch to the “DISPLAY” position (see Top of Radio diagram on page 5). The display light will remain on unless you turn it off.

FLASHLIGHT

Located on the left side of the CC Observer is a flashlight consisting of three bright LEDs (see Side of Radio diagram on page 5). To turn the flashlight on move the light switch to the “LIGHT” position. The special LED bulbs last more than 10,000 hours and use very little electrical energy.

HEADPHONE JACK

You can use a stereo or mono headphone with a 3.5 mm plug. When you insert the headphone plug, the speaker is disconnected.

PHONE CHARGER JACK

In an emergency, you may need to power your cell phone to make an important call. Five of the most common types of cell phone adapters are included. Attach the proper adapter between the PHONE CHARGER JACK and your cell phone. Cranking the radio for just 90 seconds should give you enough time to make a few quick calls. This, of course, will depend on the make and model of your cell phone.

Specifications

FREQUENCY COVERAGE

FM Band: 87.5 - 108 MHz Stereo

AM Band: 520 - 1710 kHz

WEATHER BAND

Ch. 1: 162.400 MHz Ch. 5: 162.500 MHz

Ch. 2: 162.425 MHz Ch. 6: 162.525 MHz

Ch. 3: 162.450 MHz Ch. 7: 162.550 MHz

Ch. 4: 162.475 MHz

POWER SOURCE

Batteries: 3 "AA" size

Internal Battery Pack: NiMH 2/3 AA 650 MAH

Battery Pack Charging Jack: Internal Battery Pack can be
charged with optional AC Adapter
5V 100mA DC

Winding Generator: 475-500 mA DC

POWER CONSUMPTION AT MODERATE VOLUME

AM: 14mA

FM: 22mA

Weather: 22mA

Flashlight: 15mA

Display light: 4mA

AUDIO

Speaker: 2.5"

ANTENNA

FM and Weather Band: Telescopic whip antenna

AM Band: Built-in Ferrite Bar

WEIGHT AND DIMENSIONS

Weight: 1 lb.

Dimensions: 7.25" W x 5.5" H x 2" D

HEADPHONE JACK

1/8" (3.5mm) – Will accept stereo or mono jacks.

Note: Specifications are subject to change without notice.



**READ BEFORE
OPERATING EQUIPMENT
SAVE THESE INSTRUCTIONS**



To prevent damage to your radio or possible injury to you or others, read these safety precautions and instructions entirely before applying power to your radio. Keep these precautions and instructions where all who use this radio will read them.

1) **COMMON CARE** ⚠

Check the radio and any accessories regularly. Do not use the radio if there is any sign of damage. Only operate in accordance with the instructions in this manual. Only use attachments or accessories specified by the manufacturer.

2) **DISCONNECT THE RADIO IN CASE OF MALFUNCTION** ⚠

If you smell or notice smoke, disconnect the optional AC Adapter immediately, taking care to avoid burns. Contact C. Crane Company or their representative for inspection and service before any future operation. Only use the AC-DC Adapter recommended with the unit and replace it if wires become frayed or exposed. It should have an output of 5 Volts DC. Use only the recommended adapter. Otherwise it may damage the radio or cause a fire or electric shock.

3) **KEEP OUT OF REACH OF CHILDREN** ⚠

Dropping the radio can cause damage or injury. Keep the AC Adapter cord in a position so someone cannot trip and cause the radio to fall.

4) **KEEP AWAY FROM WATER AND MOISTURE** ⚠

Keep the radio dry. Liquids and moisture can damage the radio. If a liquid leaks into the radio do not operate and seek a qualified service shop. To clean the radio, remove the power and use a damp cloth on the exterior only.

5) **KEEP AWAY FROM EXTREME TEMPERATURES** ⚠

Extreme temperatures can damage the radio. Do not leave or use the radio where it can be subjected to high or very cold temperatures.

6) **DO NOT ATTEMPT TO SERVICE RADIO** ⚠

Refer all service work to a qualified service shop when the radio does not appear to operate normally, exhibits a change in performance or the radio has received damage. Never open the radio as this may expose you to dangerous voltages and this will void all warranties.

7) **OUTSIDE ANTENNAS OR CABLES** ⚠

Outside antennas or cables that create a potential hazard should not be used with this radio unless installed by qualified personnel.

Model: CC Observer

ANSI C63.4: 2003

THIS DEVICE COMPLIES WITH PART 15 OF THE FCC RULES. OPERATION IS SUBJECT TO THE FOLLOWING TWO CONDITIONS.

- 1) THIS DEVICE MAY NOT CAUSE HARMFUL INTERFERENCE, AND
- 2) THIS DEVICE MUST ACCEPT ANY INTERFERENCE RECEIVED, INCLUDING INTERFERENCE THAT MAY CAUSE UNDESIRE OPERATION.

Notice: Any changes or modifications not expressly approved by the party responsible for compliance could void the user's authority to operate the equipment.